

Newport Harbor Mate



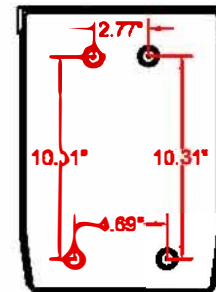
Dimensions

Height: 14.50" (368.30 mm)
Width: 10.50" (266.70 mm)
Depth: 10.40" (264.16 mm)

Approximate
Weight: 11 lbs. (5.0 kg)

**Multiply base dimensions by 25.4
for millimeters**

Newport Harbor Mate Utility Center Diagram



**BACK VIEW
FOR WALL MOUNTING**

General Specifications for Newport Harbor Mate Utility Center

All Power Pedestals Must Meet the Following:

Part I. General:

1.1 General Requirements:

- A. Shall be tested and certified to be in compliance with ANSI/UL 231 entitled "power outlets."
- B. If a laboratory other than U.L. is used that laboratory must certify, in writing, that the power outlet has been tested and meets all of the requirements of ANSI/UL 231, **including 746C polymeric materials, and that the unit will pass the 94VO-5V flame test.**
- C. Shall be certified to meet all sections of NFPA 303 DTD "2011 Marinas and Boatyards."
- D. Shall meet 406.8 (B)(2)(a) of the national electric code NFPA 70, i.e. "A receptacle installed in a wet location shall be installed in a weatherproof enclosure, the integrity of which is not affected when the attachment plug cap is inserted."

Part II. Products:

2.1 Power Pedestal / Distribution Equipment:

- A. Dock Boxes Unlimited
1-800-559-4269
www.dockboxes.com

2.2 Power Pedestal - General Specification

- A. Main Housing:
 - a. The housing shall be constructed of 1/8" thick injection molded heavy resin material and shall be coated with a two part UV-resistant polyurethane. It shall be UL listed as a type 3R weatherproof enclosure.

B. Lighting Assembly / Housing:

- a. **STANDARD** - Each pedestal shall be equipped with non-metered light. The light shall be a 9-watt compact fluorescent light, that is controlled by an electromechanical photocell and protected by a 20 amp, single pole breaker.
- b. **OPTION** - Each pedestal shall be equipped with a non-metered LED light, that is controlled by an electromechanical photocell and protected by a 20 amp, single pole breaker.

C. Wiring:

- a. The power pedestal shall be completely pre-wired at the factory to the load side of the compression lug assembly.
- b. All load copper wiring shall be of high stranding and tin plated to resist corrosion.
- c. The maximum size of the line wiring shall be # 2/0 AWG direct feed or #1 loop feed without stainless steel stand.

D. Loop Feed Buss Bar System:

- a. **STANDARD** - 140 Amp Bus Bar - The bus system shall be a 1/4" - silicon-bronze stud with a silicon-bronze Belleville type washer. The 1/4" - silicon-bronze hex-nut shall be torqued to 75 inch-pounds with a maximum amperage of 140 amps.
- b. **OPTION** - Single and double barrel mechanical buss bars - rated for copper or aluminum - are also available in sizes ranging from #8 to #2/0 AWG.

E. Grounding:

- a. All exposed metallic parts must have an integral ground that is a part of the equipment grounding system.

F. Receptacles:

- a. All receptacles shall be mounted behind a lockable weatherproof, hinged door that is under tension to ensure proper closing pressure when the receptacle is or is not in use.
- b. All receptacles shall be mounted at least 24" above the dock.
- c. All receptacles under 60 amps shall be of the corrosion resistant type conforming to NEMA L-5 and/or NEMA L-6 requirements and are rated for marine use.
- d. 20 Amp, 110 Volt, straight blade receptacles shall be GFI protected.
- e. 20 Amp, 125 Volt, twist-lock receptacles shall be 2 pole, 3 wire (NEMA L5-20).
- f. 30 Amp, 125 Volt, twist-lock receptacles shall be 2 pole, 3 wire (NEMA L5-30).
- g. 50 Amp, 125 Volt, twist-lock receptacles shall be 2 pole, 3 wire (NEMA SS-1).
- h. 50 Amp, 125/250 Volt, twist-lock receptacles shall be 3 pole, 4 wire (NEMA SS-2).

G. Circuit Breakers:

- a. All breakers for receptacles shall be of the thermal magnetic type, 10,000 A.I.C., and shall be UL listed.
- b. Circuit breakers shall be located under lockable, weatherproof door.
- c. Circuit breakers for the 20 Amp, 110 Volt, straight blade receptacles and the 20 Amp, 125 Volt, twist-lock receptacles shall be single pole, 20 Amp.
- d. Circuit Breakers for the 30 Amp, 125 Volt, twist-lock receptacles shall be single pole, 30 Amp.
- e. Circuit Breakers for the 50 Amp, 125 Volt, twist-lock receptacles shall be single pole, 50 Amp.
- f. Circuit breakers for the 50 Amp, 125/250 Volt, twist-lock receptacles shall be two pole, 50 Amp.

H. Metering (Optional):

- a. 120 Amp Meter - The pedestals shall be equipped with fully electronic meters that display the kilowatts used at each slip on a non-resettable digital counter that is protected from the weather. The accuracy of the meters must be certified by the manufacturer to have a 120 ampere rating and no more than a 2% error when tested in accordance with ANSI.-C12.1.(California requires 1%).

I. Communications (Optional):

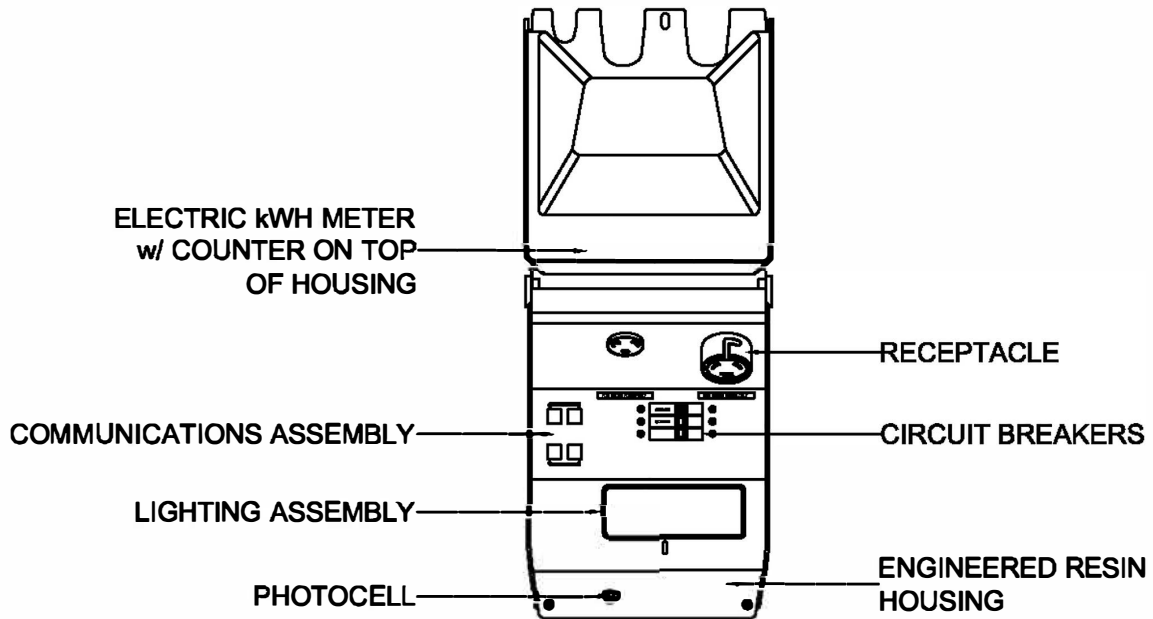
- a. Each pedestal shall be equipped with outlets for each slip. Each outlet shall contain a combination of RJ45 (internet) receptacles, RJ11 (telephone) receptacles, or male coax (cable TV) connectors under an injection-molded heavy resin, weather protective cover.
- b. Each communication assembly shall include an internal isolation box for the separation of high and low voltage equipment.

J. Power Pedestals for A.D.A. Slips (Designated as Handicap Accessible):

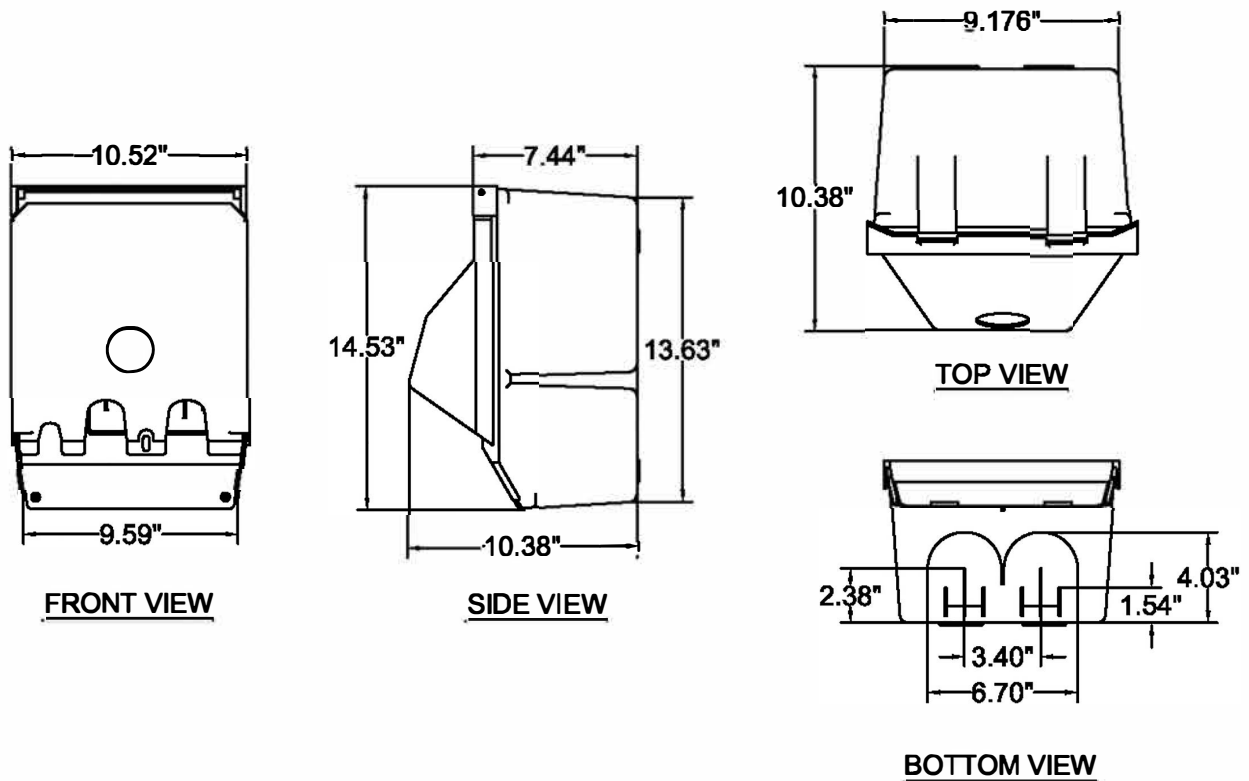
- a. Power pedestals installed on designated handicap accessible slips shall comply with the guidelines of the Americans With Disabilities Act of 1990.

(END OF SECTION)

Product Features



Dimensions



Wiring Diagram - Stud Lug Bus Bar

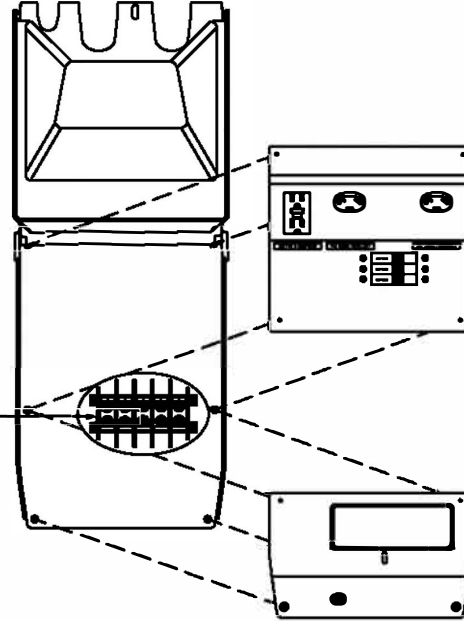
Wire Colors Per NEC

Line 1	L1	Black
Neutral	N	White
Line 2	L2	Red
Line 3	L3	Blue
Ground	G	Green



**Compression Terminals
(Not Included)**
Contractor needs to terminals
to line wires and place on
provided stud lug connector.

BUS BAR WITH STUD LUG
COMPRESSION TERMINAL
TORQUE BRONZE NUT
TO 100 IN. LBS.



FRONT VIEW WITH
PANELS REMOVED

Communications

COMMUNICATION ASSEMBLIES
INCLUDE ISOLATION BOXES
FOR INTERNAL CONNECTIONS

CONNECTIONS AVAILABLE:

- MARINE TWIST-LOCK TELEPHONE
- RJ-12 CAT3 TELEPHONE JACK (HOUSEHOLD PHONE)
- RJ-45 CAT5 HIGH-SPEED INTERNET JACK
- COAX CABLE TV FCF FEMALE CONNECTION
- OTHER CONNECTIONS AVAILABLE UPON REQUEST

