

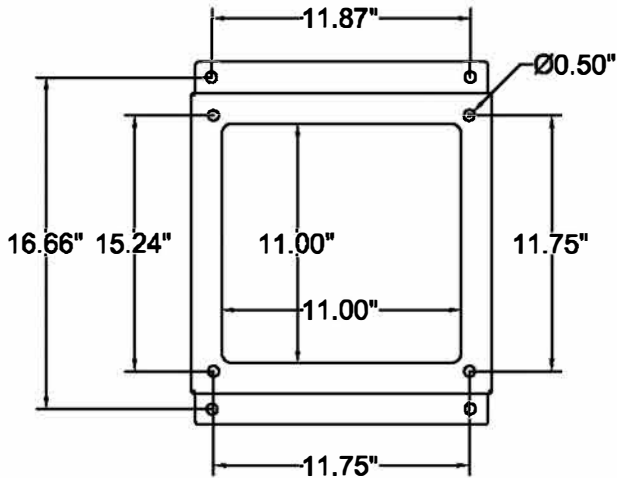
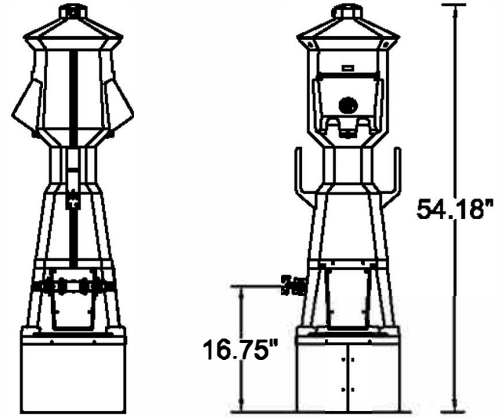
10" Stainless Steel Base Extension Specifications



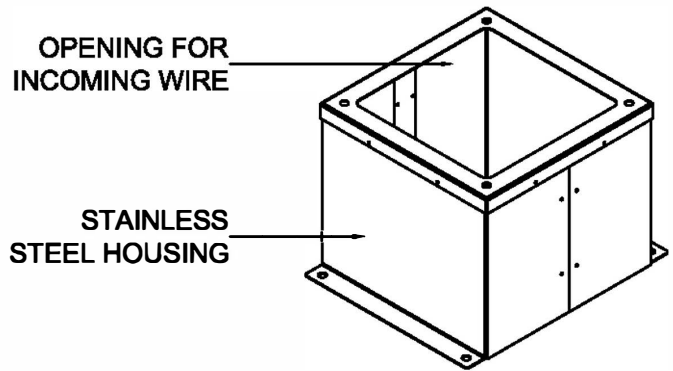
Product Features / Dimensions

THE 10" STAINLESS STEEL BASE EXTENSION INCREASES THE OVERALL HEIGHT OF THE LIGHTHOUSE OR POWERHOUSE POWER PEDESTAL, AND IS IDEAL FOR:

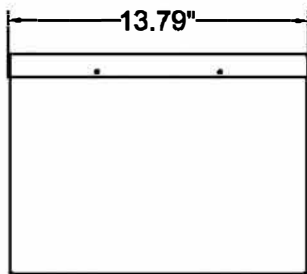
- AREAS WITH HIGH FLOOD PLAINS
- SLIPS / SITES REQUIRING LARGE FEEDER WIRES OR CABLES FOR INSTALLATION - ALLOWS FOR GREATER WIRE BENDING RADIUS



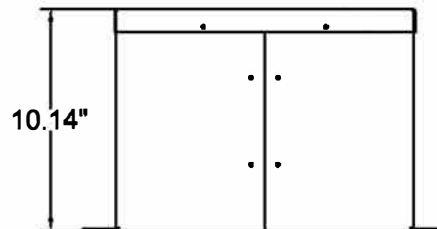
TOP VIEW



ISOMETRIC VIEW



SIDE VIEW



FRONT VIEW