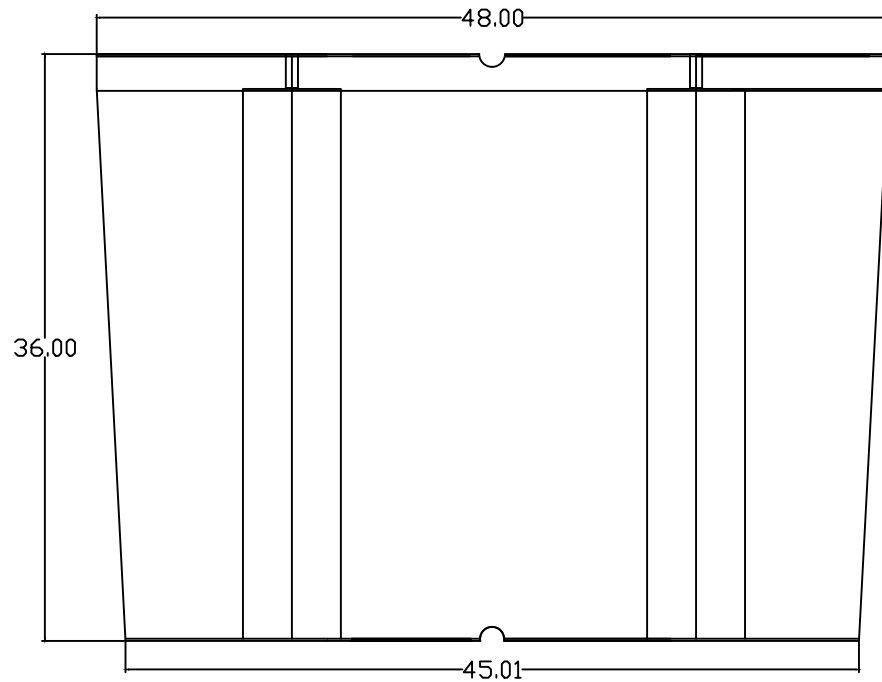
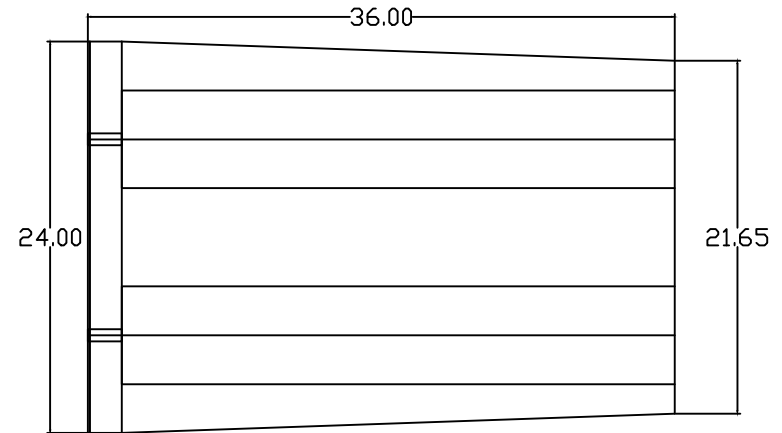
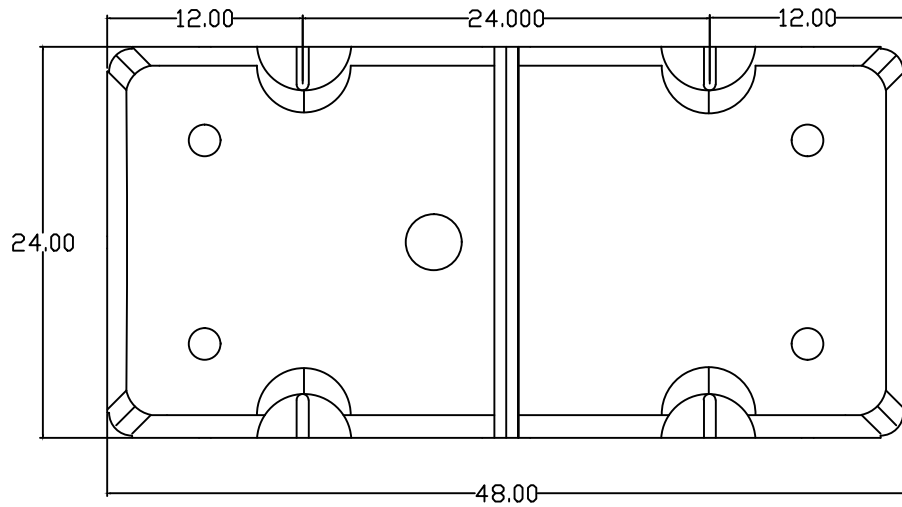


Rev	Date	By



Nominal Wall Thickness 0.15



DESIGNED FOR:	
DRAWN BY: JMH	DATE:
MATERIAL:	TYPE:
PART NAME: 24x48x36	Float
PART NO.	REV.