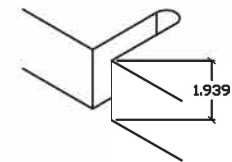
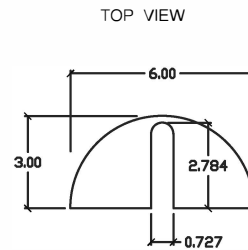
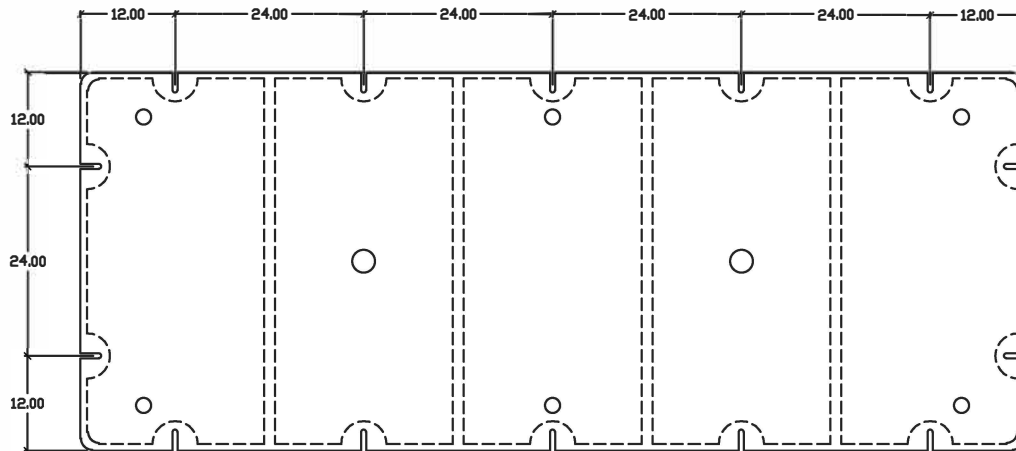
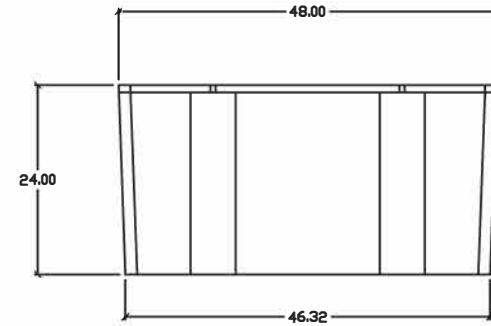
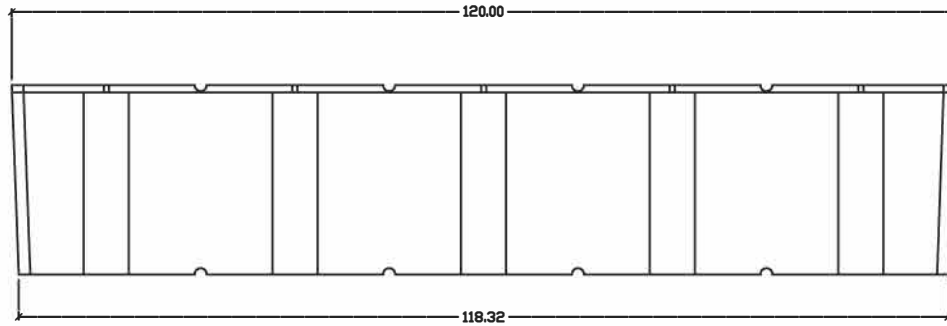


REVISED	DATE	BY
		JEB



MOUNTING SLOT DETAIL
SCALE 2:1

ALL DIMS NOMINAL

Common technical specs.

Max buoyancy :	4560 LB'S
Nominal wall thickness :	0.15"
Cubic feet:	80.0 FT ³
Weight:	190.0 LB.'s

As with all types of materials, allowances must be made for shrinkage and changing of exact dimensions due to temperature and other conditions.

DRAWN BY JEB	APPROVED BY	DATE: 06-19-2014
-----------------	-------------	------------------

Materials: Polyethylene encasing Expanded Foam	Type:
---	-------

Part Name: 4'x10'x24"

AutoCad 2010	PART # : EF41024	1 of 1
-----------------	------------------	--------