



**Dock Boxes Unlimited™**

*Coming together is a beginning. Keeping together is progress. Working together is success.*



## Installation Instructions for the Lighthouse Power Pedestal (#70-8634)

### **DANGER**



**Hazardous voltage. Can cause severe injury or death.**

Turn off main power before opening panel.

### **WARNING**

**Dock Boxes Unlimited, Inc. strongly recommends that these products be installed by a qualified electrician.**

### **IMPORTANT - INSTALL EQUIPMENT IN CONFORMANCE WITH CODES**

This product must be installed in accordance with the National Electric Code (NEC) or the Canadian Electrical Code (CECO) and any applicable local codes. Before installing equipment, check with your local electrical inspector for requirements and information. If you have questions or need assistance, contact a qualified electrician.

### **WARNING**

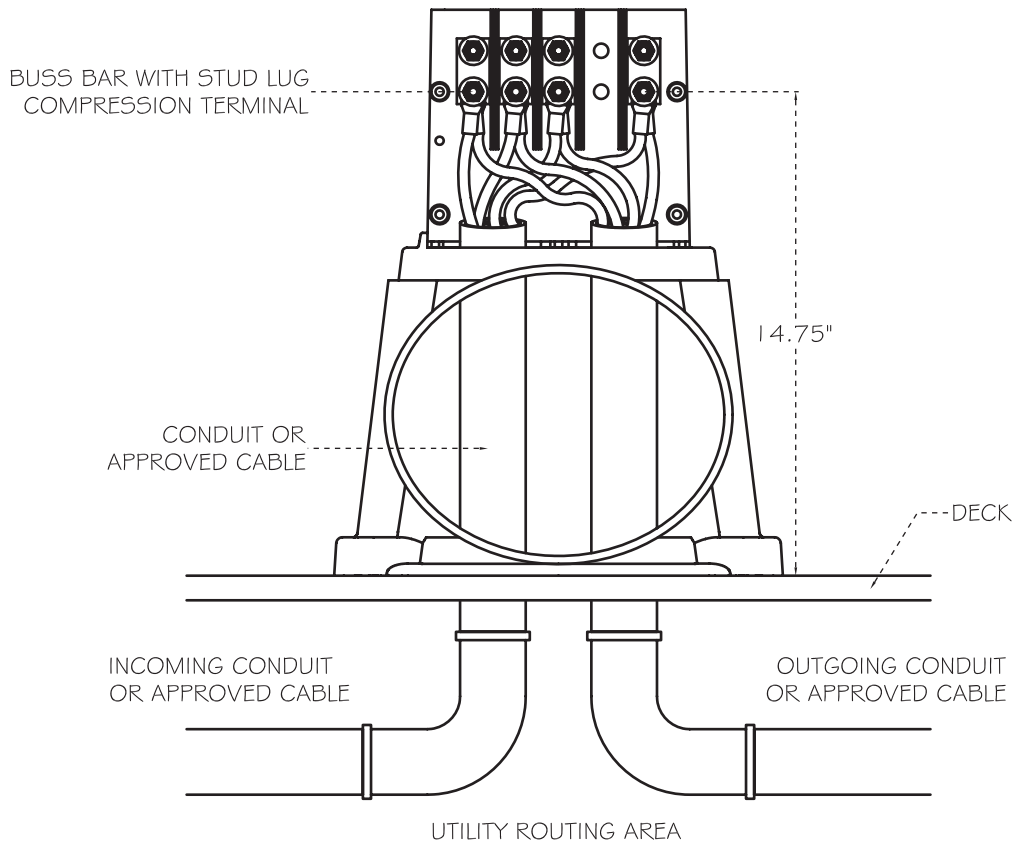
**Turn off or disconnect the power supplying this equipment before beginning work.**

This may require that you contact your electric utility to disconnect power to an existing load-center. The line side of the main breaker is energized unless power is disconnected upstream. Dock Boxes Unlimited, Inc. will not assume responsibility for property damage or personal injury resulting from misuse of the information in this publication.

## Wiring Diagram

### Wire Colors

(Line 1) L1	Black
(Neutral) N	White
(Line 2) L2	Red
(Line 3) L3	Blue
(Ground) G	Green



### Compression Terminals (Not Included)

Contractor needs to crimp terminals to line wires and place on provided stud lug connector.

## Installation

### ! Note

We strongly recommend that a qualified electrical contractor install this unit.

The ease and simplicity of installing the Lighthouse makes it the pedestal of choice for many electricians. The design allows all work to be completed out in the open with no confining workspaces.

### 1 Securing the Base and Mounting the Pedestal

Always use stainless steel hardware and a stainless steel washer between the bolt head and the mounting feet.

See the attached dimensional drawing of the base of the Lighthouse. Suggested locations for the power supply as well as water, phone and cable TV utilities are identified. We recommend that you prepare the mounting of the base as follows:

(Refer to mounting base diagram)

#### • On Concrete Docks

At each corner, utilize four 3/8" compression bolts or threaded rod set in the concrete on 11.75" centers for through-hole mounting of the Lighthouse base.

#### • On Wood Docks

At each corner, utilize four 3/8" bolts or lag screws on 11.75" center for through-hole mounting of the Lighthouse base. Always use stainless bolts and washers to prevent damage while mounting the base.

#### • On Both Concrete and Wood Docks

The mounting surface must be flat and

level. If cupped deck boards or an irregular concrete surface are under the base mount feet, stainless washers should be used to shim the base level before the tightening the mounting bolts or screws.

### 2 Connecting Power Supply to the Pedestal Buss Bars

Remove the four corner screws (10" from the bottom of the pedestal) that attach the top housing of the pedestal to the base.

There is an integral plastic hook hinge on one side and with the screws removed, you can hinge the top section open and fold it gently down to the deck. This will expose the loop feed 3/8" compression style stud lug buss bars.

An electrician will need to crimp wire terminations on power supply lines and attach the leads as directed by the wiring diagram instructions located within this packet.

A silicone bronze flat washer, Bellville washer (cupped spring) and a nut are provided for each incoming supply line.

### 3 Water Connection

There are four access panels located on each side of the base. The water assembly is mounted on one specialized panel with two 1/4 turn ball valves.

Remove the water panel to access the backside of the "T" fitting (3/4" female fitting) for connection. We recommend attaching a flexible stainless or black-poly hose from your waterline.

Pull the hose out from under the base and connect it to the back of the "T".

Guide the hose back into the base and reinstall the panel.

### 4 Phone, Internet, and Cable TV Connection

The phone, Internet, and cable TV receptacles are mounted on another specialized base access panel. Connection is similar to working on the water assembly above.

Remove the access panel.

Pull the phone line and cable out from under the base and connect them to the back side of the receptacles.

Guide the wires back into the base and reinstall the panel.

### 5 Installing the 13-Watt Compact Fluorescent Light

Replace the bulb about every three years, or if the bulb fails to illuminate by unscrewing the lens and top assumedly from the main housing with a Phillips head screwdriver. Once the top is removed, clean as necessary and replace bulb with the recommended compact fluorescent.

## Maintenance

Dock Boxes Unlimited, Inc. produces units that are designed to withstand the harsh marine environment. Very little maintenance is required to keep the units looking new for many years and to keep the warranty effective.

### 1 Exterior Maintenance

To remove of dirt, grime, and bird droppings, use a mild solution of dishwashing detergent at approximately one teaspoon per gallon of warm water. Once clean, follow up with a water based insect spray to kill the spiders around the base and main housing of the unit. DO NOT use a petroleum based insect spray.

DO NOT use any solvent or corrosion inhibiting products on any part of the unit. This can cause serious stress cracking of the engineered resins and will void warranty.

### 2 Interior Maintenance

Before attempting the following maintenance procedures, turn off the power to the unit at the power supply panel.

### ! Note

The breakers on the unit DO NOT turn the unit power supply off and the buss bars will be energized.

#### • Exposing the Buss Bar Assembly

Annually, the four screws holding the top of the unit to the base should be removed and the unit should be tilted over to expose the buss bar area.

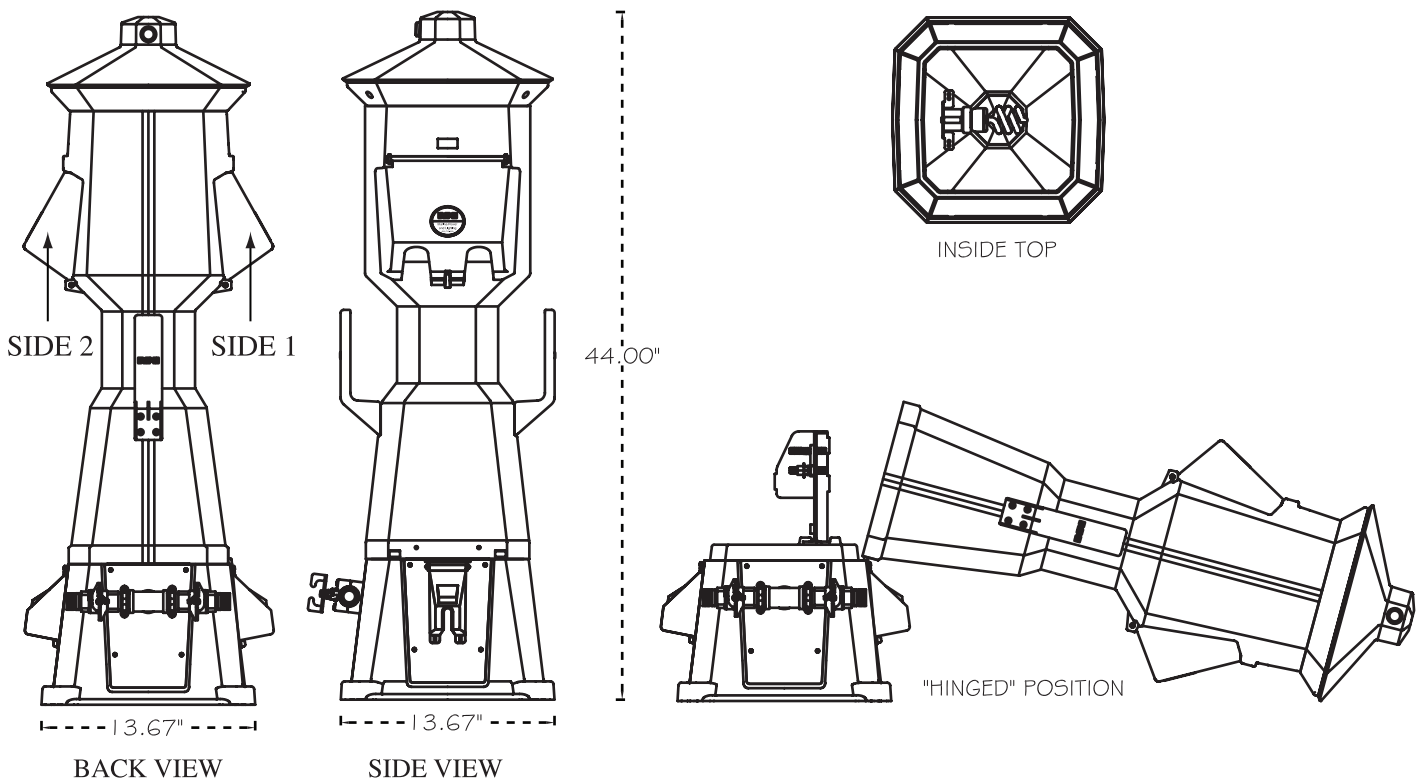
#### • Maintenance of Buss Bar Assembly

On all units, the buss bars should be visually examined for excessive heating. If potentially faulty or loose joints are found, they should be tightened or replaced.

In the cases where mechanical lugs instead of the stud-lug buss assembly are used, it is very important that they be examined closely. Most mechanical lugs are made of aluminum and are very susceptible to galvanic corrosion.

If the set screw cannot be tightened, replace the lug. If there appears to be corrosion around the copper to aluminum connection, remove the copper wire and clean the wire, coat the wire with an anticorrosion grease, and retighten the assembly.

## Lighthouse Power Pedestal Dimensions



### • Receptacles and Breakers

The receptacles and breakers should be examined annually, and if any sign of heating is evident, the receptacles or breakers should be replaced.

### • Solvents

DO NOT spray any solvents on the electrical components. Solvents will cause stress cracking of the polymeric materials and will void warranty.

### 3 Lighting Assembly

To test the lighting assembly, the photocell should be covered with a piece of black tape and in about 2-3 minutes the light should illuminate. If this does not occur, the following items should be checked: photocell and bulb.

### 4 Winterizing

The water system should be purged with air and each ball valve should be opened and closed after the system has been drained. This will remove the slug of water that remains in the ball. No other winterizing functions are required.

## Operation

### 1 Connect Power Cord to Boat

Insert the proper end of the shore power cord into the boat's power inlet connection, twist the plug to lock, then tighten the locking plug retainer by twisting the large nut until the unit is tight to the boat.

### 2 Connect Power Cord to Pedestal

With the breakers off, insert the shore power cord into the receptacle and twist the plug clockwise until the plug locks into the receptacle.

### 3 Turn Breaker ON

With both connections secured, turn on the breaker. The power indicator on the boat should indicate a successful attachment of the plug and the receptacle.

## Parts

Save 10% When You Buy Parts and Pedestals Online!

Please visit [www.dockboxes.com](http://www.dockboxes.com) for a full parts listing.

To request a parts handbook:

- Call 1-800-559-4269 or
- E-mail [sales1@ultimatemarinesource.com](mailto:sales1@ultimatemarinesource.com)

## Warranty Policy

### Dock Boxes Unlimited, Inc. ("Seller") Warranty Policy Supplement to Seller's Selling Policy 25-000.

This Warranty Policy is intended to only supplement and/or alter the "Warranty" provision of Seller's Selling Policy 25-000. All other terms and conditions contained in the Selling Policy 25-000 remain in full force and effect.

### Warranty for Pedestals and Distribution Equipment Housings for Dock Boxes Unlimited, Inc. Products

Seller warrants that the housings of all Pedestals and Distribution Equipment manufactured by it ("Housings") will conform to Seller's applicable specifications and be free from failure due to defects in workmanship and material for the lifetime of the Product.

In the event the Housing fails to comply with the foregoing warranty Seller will, at its option, either (a) repair or replace the defective Housing, or defective part or component thereof, F.O.B. Seller's facility freight prepaid,

or (b) credit Buyer for the purchase price of the Product. All warranty claims for Housings shall be made in writing. Seller requires all non-conforming Products be returned at Seller's expense for evaluation unless specifically stated otherwise in writing by Seller.

This warranty does not cover failure or damage due to storage, installation, operation or negligence. This warranty does not cover reimbursement for labor, gaining access, removal, installation, temporary power or any other expenses, which may be incurred in connection with repair or replacement. This Warranty is void if factory seal is broken.

This warranty does not apply to equipment not manufactured by Seller. Seller limits itself to extending the same warranty it receives from the supplier.

### Warranty for Internal Components for Dock Boxes Unlimited, Inc. Products

Dock Boxes Unlimited, Inc. internal component products are covered under the warranty set forth in Seller's Selling Policy 25-000.

### Warranty for Meters for Dock Boxes Unlimited, Inc. Products

Seller warrants that the meters manufactured by it ("Meters") will conform to Seller's applicable specifications and be free from failure due to defects in workmanship and material for five (5) years.

In the event a Meter fails to comply with the foregoing warranty Seller will, at its option, either (a) repair or replace the defective Meter, or defective part or component thereof, F.O.B. Seller's facility freight prepaid, or (b) credit Buyer for the purchase price of the Product. All warranty claims for Meters shall be made in writing. Seller requires all non-conforming Products be returned at Seller's expense for evaluation unless specifically stated otherwise in writing by Seller.

This warranty does not cover failure or dam-

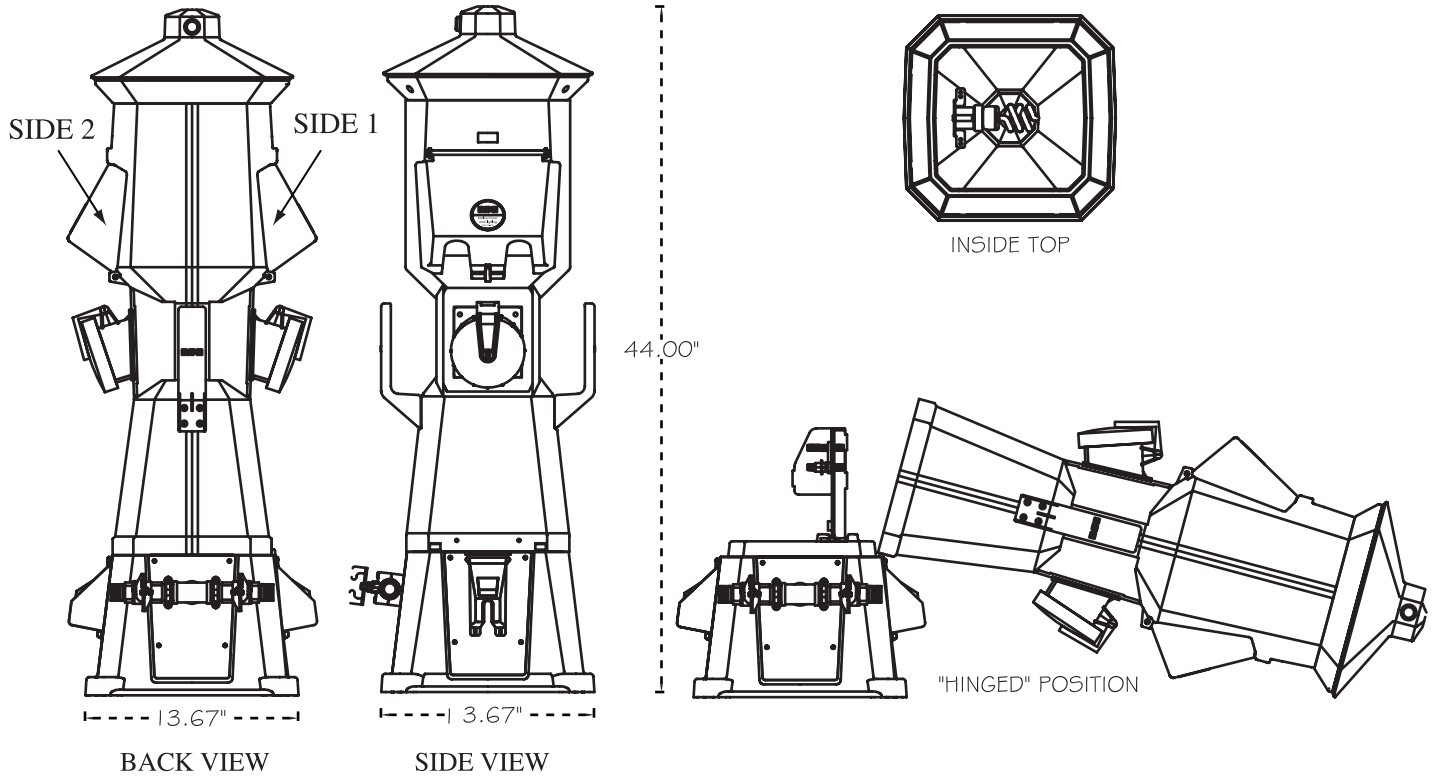
age due to storage, installation, operation or maintenance not in conformance with Seller's recommendations and industry standard practice or due to accident, misuse, abuse or negligence. This warranty does not cover reimbursement for labor, gaining access, removal, installation, temporary power or any other expenses, which may be incurred in connection with repair or replacement. This Warranty is void if factory seal is broken.

This warranty does not cover wire harnesses, Current Transformers (CTs) and counters. These components are covered under selling policy 25-000.

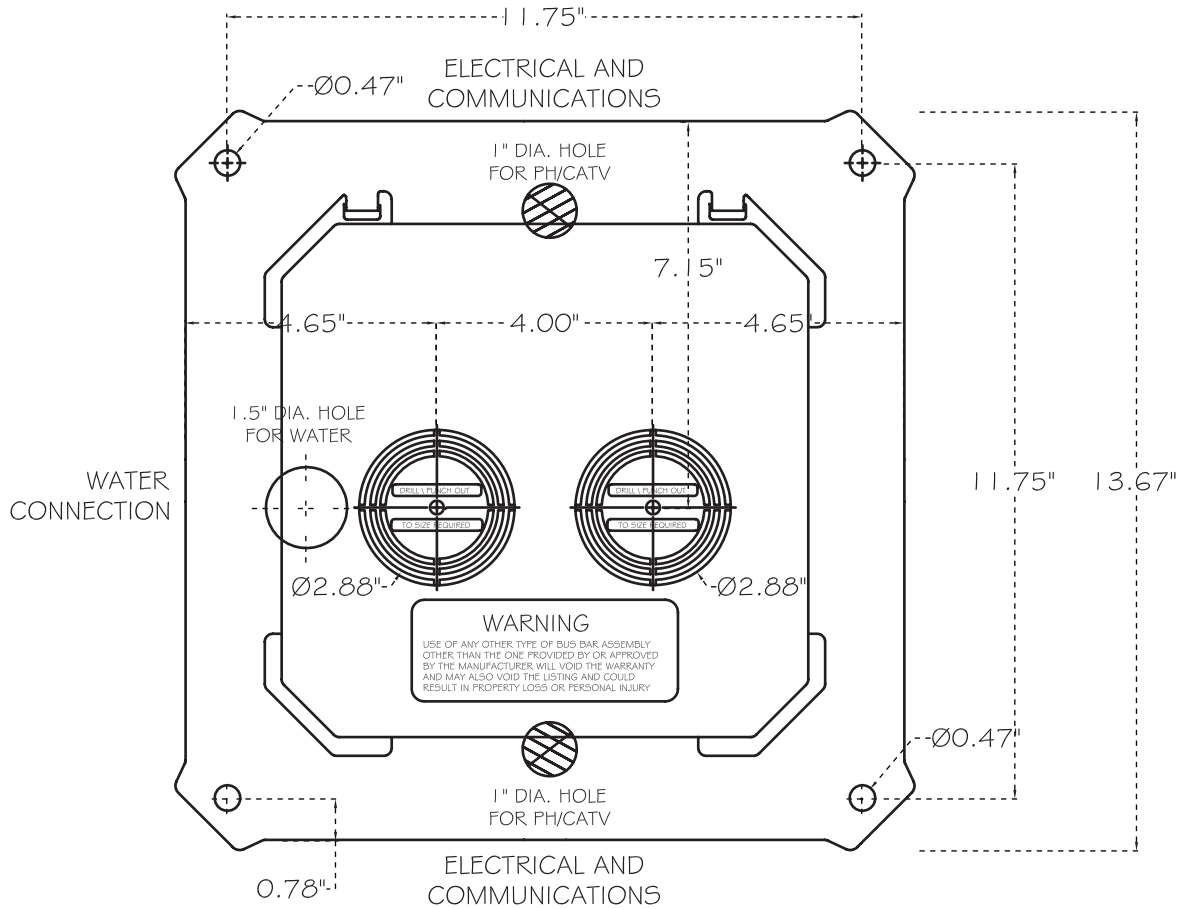
This warranty does not apply to equipment not manufactured by Seller. Seller limits itself to extending the same warranty it receives from the supplier.

**Dock Boxes Unlimited, Inc.**  
5605 North MacArthur Blvd., Ste 200  
Irving, TX 75038-2630  
United States  
1-800-559-4269  
fax: 972-402-9995  
[www.dockboxes.com](http://www.dockboxes.com)  
[sales1@ultimatemarinesource.com](mailto:sales1@ultimatemarinesource.com)

**Lighthouse Power Pedestal with  
Dual 100 Amp Receptacles  
Dimensions**



**Base Diagram**

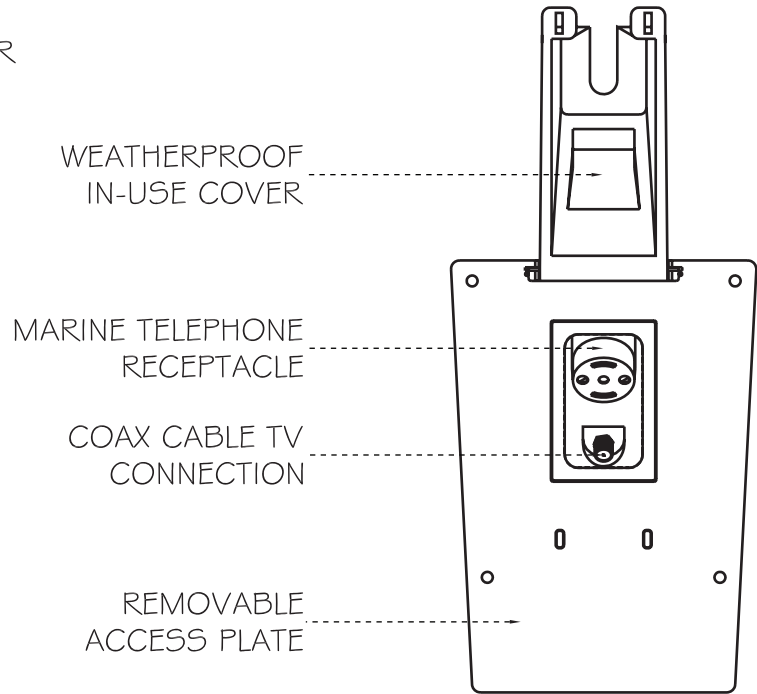


## Communication Assemblies

COMMUNICATION ASSEMBLIES INCLUDE ISOLATION BOXES FOR INTERNAL CONNECTIONS.

### CONNECTIONS AVAILABLE:

- MARINE TWISTLOCK TELEPHONE
- RJ12 CAT3 TELEPHONE JACK (HOUSEHOLD PHONE)
- RJ45 CAT5 HIGH-SPEED INTERNET JACK
- COAX CABLE TV FCF FEMALE CONNECTION



## Water Assembly

